

# Valentino INDOOR GAS FIREPLACE

## Valentino 1000 LFR

*With the three sided open fire you can create an eye catching feature*

### FEATURES

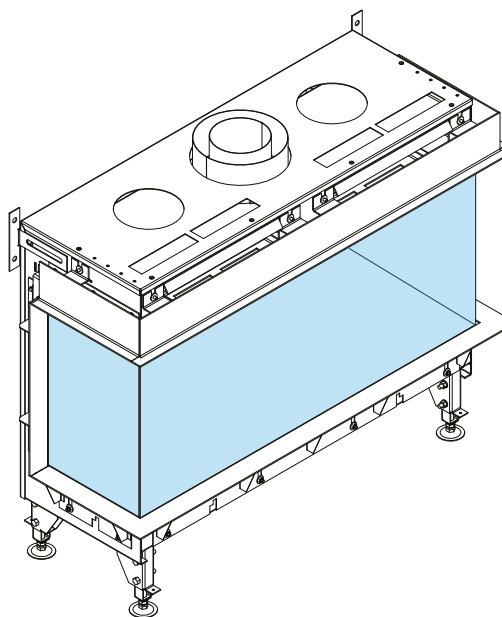
- Linear-shape burner
- 15 levels of flame height
- LPG or Natural Gas powered
- Safety sensors
- Child lock
- Eco Flow mode
- Module structured burner
- Advance thermostat
- Automatic ignition
- Anti-reflective glass (left, front, right)
- Remote control powered
- Smart Home System compatible
- Heat inflector
- Heat efficient
- Regulated supporting legs
- CE Certified components

### SPECIFICATION

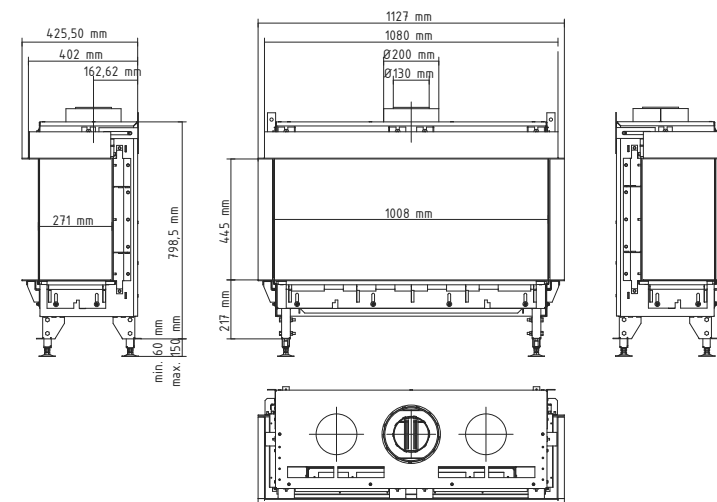
| FUEL OPTION         |                   | G20 / G25 (NATURAL GAS) | G30 / G31 (LPG) |
|---------------------|-------------------|-------------------------|-----------------|
| Fire view           | -                 | Left, Front & Right     |                 |
| Nominal heat output | kW                | 6,4                     | 6,7             |
| Gas consumption     | kg/h              | -                       | 0,20*-0,70      |
| Gas consumption     | m <sup>3</sup> /h | 0,25*-0,90              | -               |
| Flue system         | mm                | concentric flue 200/130 |                 |
| Glazing             | -                 | anti-reflective glass   |                 |
| Interior finish     | -                 | black matt              |                 |
| Control             | -                 | remote control & SHS    |                 |
| Combustion system   | -                 | closed                  |                 |
| Power supply        | V                 | 230                     |                 |
| Built-in depth      | mm                | 425,5 + 50**            |                 |
| Fire view width     | mm                | 1008                    |                 |
| Fire view height    | mm                | 445                     |                 |

\* only middle section operating

\*\*the minimum space between the wall and the device



### DIMENSIONS



### AVAILABLE DECORATIVE ACCESSORIES



### OPTIONAL

