

# Valentino INDOOR GAS FIREPLACE

## Valentino 1000 F

*Combines the warmth of natural fire with the most advanced and safest technology*

### FEATURES

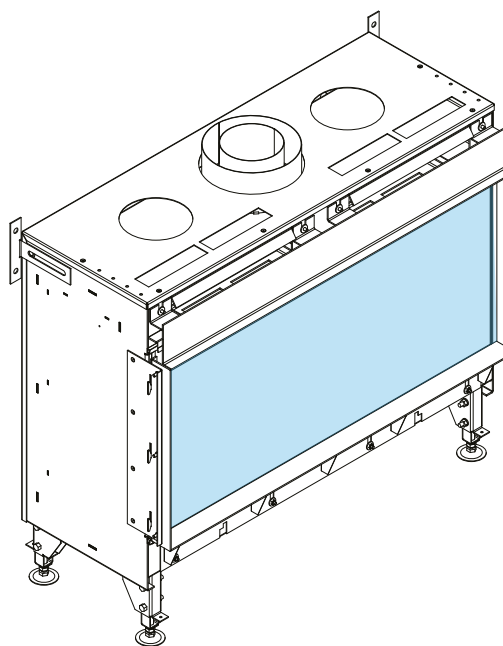
- Linear-shape burner
- 15 levels of flame height
- LPG or Natural Gas powered
- Safety sensors
- Child lock
- Eco Flow mode
- Module structured burner
- Advance thermostat
- Automatic ignition
- Anti-reflective glass (front)
- Remote control
- Smart Home System compatible
- Heat inflector
- Heat efficient
- Regulated supporting legs
- CE Certified components

### SPECIFICATION

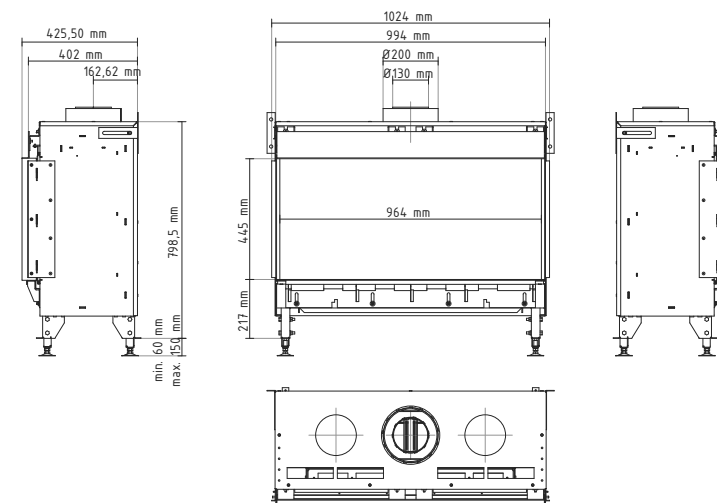
FUEL OPTION		G20 / G25 (NATURAL GAS)	G30 / G31 (LPG)
Fire view	-	Front	
Nominal heat output	kW	6,4	6,7
Gas consumption	kg/h	-	0,20*-0,70
Gas consumption	m <sup>3</sup> /h	0,25*-0,90	-
Flue system	mm	concentric flue 200/130	
Glazing	-	anti-reflective glass	
Interior finish	-	black matt	
Control	-	remote control & SHS	
Combustion system	-	closed	
Power supply	V	230	
Built-in depth	mm	425,5 + 50**	
Fire view width	mm	964	
Fire view height	mm	445	

\* only middle section operating

\*\*the minimum space between the wall and the device



### DIMENSIONS



### AVAILABLE DECORATIVE ACCESSORIES



### OPTIONAL

